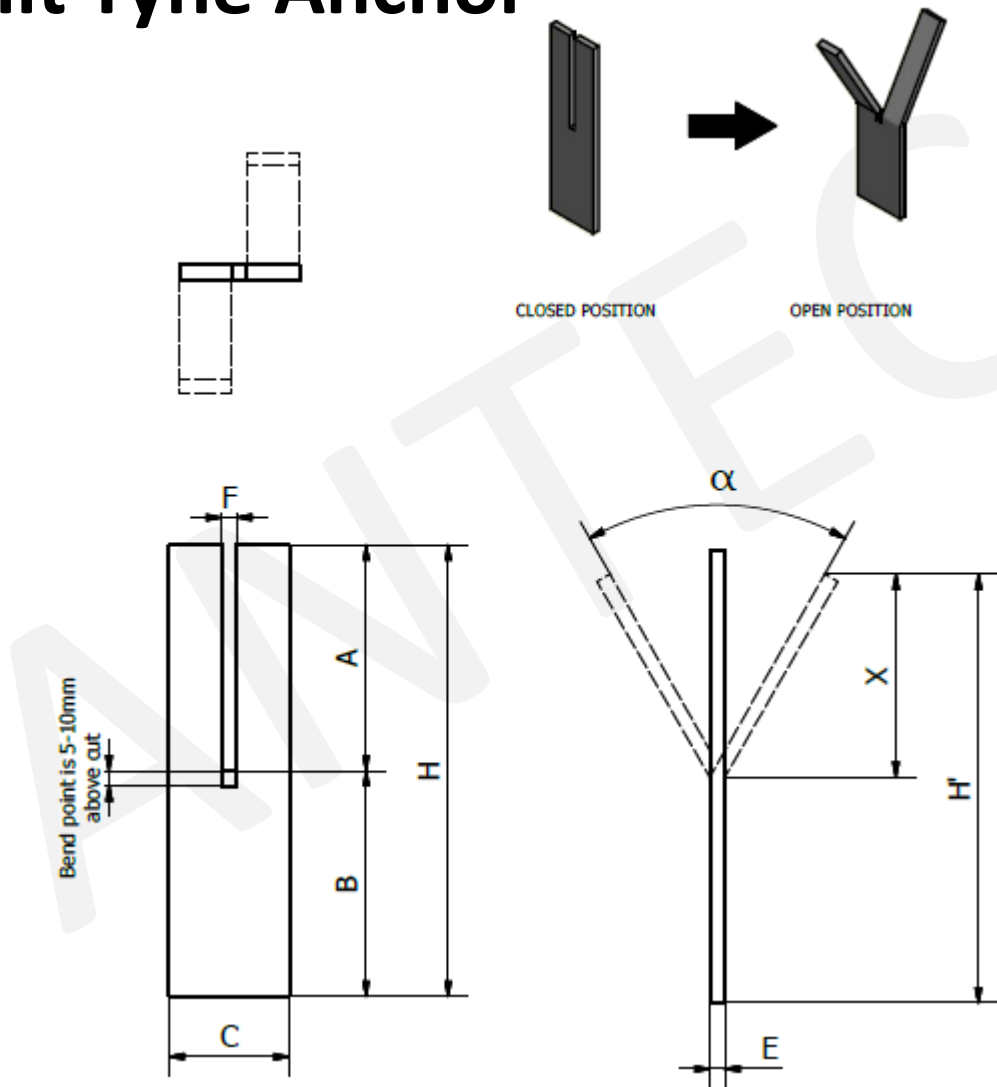


AN 24

Split Tyne Anchor



All items can be manufactured in various alloy steels
 Tolerances:
 +/- 3mm on Dimensional
 +/- 3° on Angular Dimensions
 Unless otherwise noted

F = min 5mm
 A = max 100mm
 E = max 5mm min 3mm
 C = min 25mm