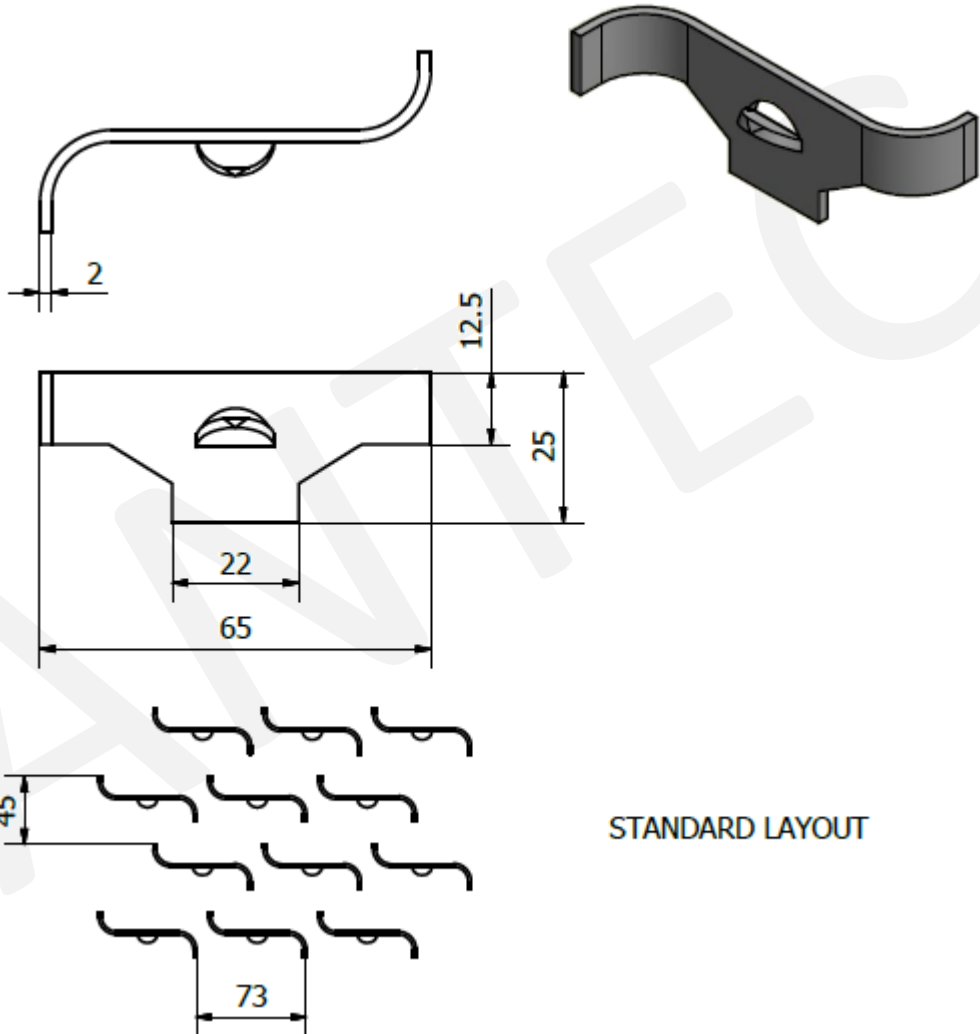


# AN 40

## M Mini S Bar Anchor



STANDARD LAYOUT

All items can be manufactured in various alloy steels

Tolerances:

+/- 3mm on Dimensional

+/- 3° on Angular Dimensions

Unless otherwise noted